



User Manual

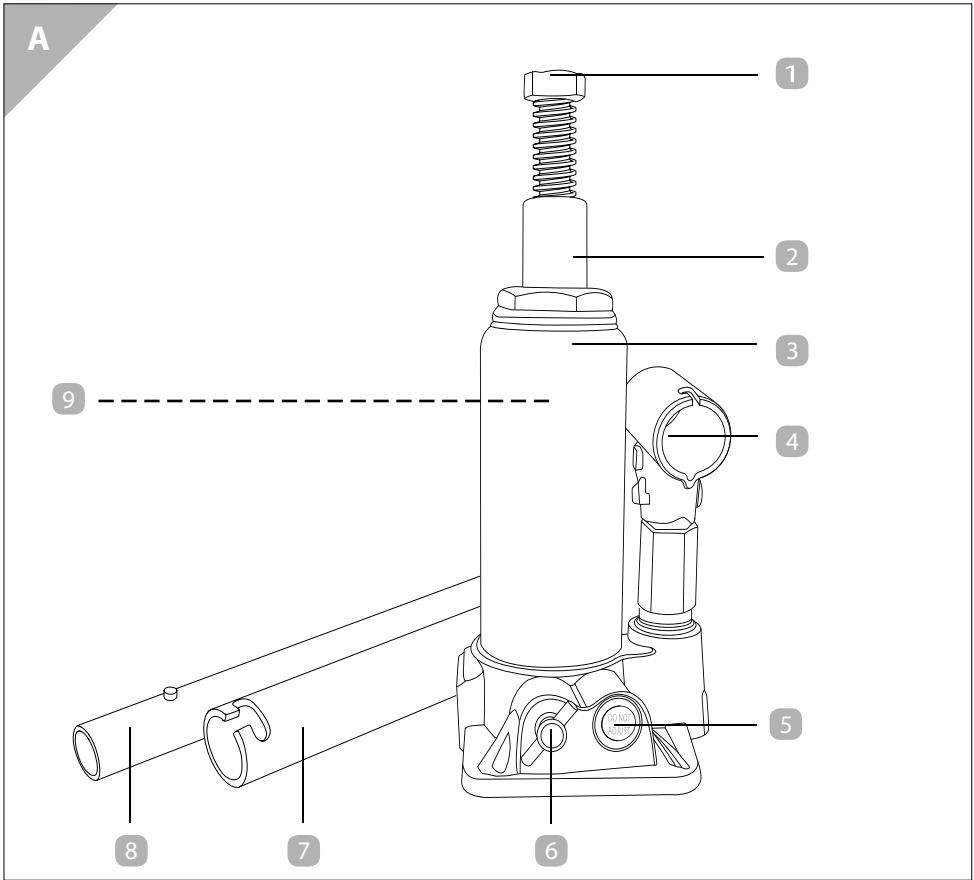


COMPACT CAR JACK



Table of contents

Overview	4
Scope of delivery/parts	4
General Information	5
Read and store operating instructions	5
Explanation of the symbols.....	5
Safety	6
Intended use	6
Safety information.....	6
Initial start-up	11
Check the car jack and scope of deliver	11
General.....	11
Assembly of the car jack	12
Mounting the lever bar	12
Operation of the car jack	12
Take precautions on the vehicle.....	12
Attaching the car jack	12
Lifting the vehicle.	12
Lowering the vehicle.....	13
Troubleshooting	14
Maintenance, repair and inspection	15
Add hydraulic oil.....	16
Lubrication.....	16
Venting.....	16
Cleaning and storage	17
Technical data	18
Disposal	18
Disposal of the packaging	18
Disposal of the car jack.....	18
Declaration of Conformity	19



Parts

- 1 Saddle (extension bolt)
- 2 Stroke piston
- 3 Pump body
- 4 Handle holder
- 5 Overload valve (under red plastic cover)
- 6 Release valve
- 7 Lower lever bar
- 8 Upper lever bar
- 9 Oil filling plug (not visible)

GENERAL INFORMATION

Read the instructions and keep them in a safe place



These operating instructions apply to this compact car jack (hereinafter referred to as the “car jack”) and contain important information on its setup and use.

Read these operating instructions carefully before using the car jack for the first time.

This particularly applies to the safety instructions. Failure to observe them may result in personal injury or damage to the car jack.

Keep these operating instructions in a safe place. If the car jack is passed on to third parties, these operating instructions must always be handed over also.

Explanation of the symbols

The following symbols and signal words are used in these operating instructions, on the car jack itself or on the packaging.

 **WARNING!**

This symbol/warning word indicates danger with a medium level of risk, which will, if not avoided, lead to death or serious injuries.

 **CAUTION!**

This symbol/warning word indicates danger with a low level of risk, which will, if not avoided, lead to less serious injuries.

NOTICE

This symbol/warning word warns of the possibility of material damage.



This symbol indicates useful additional information on the handling and use of the product.



Declaration of conformity (Chapter "Declaration of Conformity"): Products marked with this symbol comply with all applicable Community Regulations of the European Economic Area.



The GS (Tested Safety) mark certifies that the product is safe when used correctly. The GS mark means that the safety of the product has been tested. Products marked with this symbol comply with the requirements of the German Product Safety Act (ProdSG).

SAFETY

Intended use

The car jack is designed for a short-term lifting and lowering of vehicles up to 5,000 kg, and is intended exclusively for private use and is not suitable for commercial purposes.

Only use the car jack as described in these operating instructions. Any other use is considered to be improper use and may result in material or even personal injury.

The manufacturer or dealer shall not accept any liability for damages caused by improper or incorrect use.

According to EN1494:2000 + A1:2008 and EN ISO 12100-2:2003.

Safety information



Risk of suffocation and strangulation!

Keep children away from all packaging material, as they can get caught inside of it, pull it over their head or swallow it, and suffocate or strangle themselves.

-
- Do not let children play with the packaging film. Children can become entangled therein while playing.
 - Keep children away from small parts.

**WARNING!****Risk of personal injury!**

No persons or animals may be lifted with the car jack. This may result in serious injury or even death.

- The car jack may only be used to raise and lower vehicles.

**WARNING!****Risk of personal injury!**

To avoid dangers, never leave the car jack and the vehicle unattended during use. Failure to do so may result in serious injury or even death.

- Make sure that the car jack and vehicle are stable. The car jack may only be used on firm, stable, flat and even surfaces.
- Never use the car jack to lift a vehicle heavier than 5,000 kg, not even for a short time.
- Keep children and animals away from the vehicle as long as it is raised with the car jack.
- Never lift the vehicle when there are still occupants inside of it.
- Make sure that the load is in the middle of the saddle.
- Support the vehicle with undercarriages of the required load capacity and remove the car jack before starting work on the vehicle.
- There may not be any persons under the vehicle if it is only supported by the car jack.



CAUTION!

Risk of personal injury!

The user of this car jack must be fully familiar with the functions of the car jack, and the entire procedure to ensure safe operation before using the product.

Failure to observe them may result in personal injury.

- Before lifting a vehicle, read the vehicle's operating instructions.
- Always wear suitable personal protective clothing when using the car jack.
- Check the car jack before each use. If you notice loose or detached parts or damage, do not use the car jack. If this occurs, the car jack should be inspected by an authorised specialist.
- The car jack may only be used for lifting and lowering vehicles. A lifted vehicle must be supported by support frames with the required load capacity. Using only the car jack as a support for a lifted vehicle may result in personal injury or property damage to the vehicle.
- Never move a vehicle lifted with the car jack, as the car jack cannot withstand such loads. Non-observance may result in personal injury and/or damage to property.
- Do not make any changes to the car jack. Never open the housing. The car jack has no parts that the user can repair or modify. If the user repairs the product or uses it incorrectly or improperly, the warranty expires. In case of repair, contact the manufacturer through the service center indicated on the warranty card.
- In the event of repair, only original spare parts for this car jack may be used. The car jack contains mechanical parts that are important to protect the product from damage.
- The car jack should be maintained and repaired in accordance with the manufacturers instructions. Such maintenance and repair shall be carried out by qualified persons.

- Do not modify the car jack or add any parts.
- Use the car jack only in dry weather and in a dry environment.
- Do not use the car jack in damp indoor areas or in rain.
- Do not store the car jack in a place where it could fall down.
- Do not place any objects on the housing.
- Do not load the car jack beyond the permissible load capacity specified in the operating instructions.
- Only use the car jack on firm and level surfaces. Never place the car jack on soft surfaces (e.g. grass). Such surfaces can bring the vehicle into a tilted position or cause the car jack to slip, which can cause damage to property and/or personal injury.
- During use always remain with the lifting device and load
- Maintain a sufficient distance from the vehicle while it is raised or lowered.
- Always lower the vehicle slowly.
- Before the vehicle is lifted, apply the handbrake, engage a gear and block the wheels that are not lifted with wheel chocks.
- Only lift the vehicle at the attachment points designated by the vehicle manufacturer.
- Before each use of the car jack, make sure that codes and markings are visible and legible as they contain important information. If this information is missing or illegible, contact the manufacturer through the service center indicated on the warranty card.
- Children may not use jack. Cleaning and user maintenance-must not be performed by children.
- Do not leave the jack unattended while in use.
- Keep children away from the jack.
- Do not let children play with the jack.
- Make sure that children do not play with the packaging film, as it can trap them and suffocate them.



CAUTION!

Risk of personal injury!

Use of the car jack in abnormal or adverse conditions or environments may result in personal injury.

- Do not use the car jack in abnormal or adverse weather conditions (e.g. very cold or very hot areas, strong wind and strong magnetic fields) as the car jack will not function properly and may cause damage. The vehicle may become unstable.
- Do not use the car jack in potentially explosive atmospheres, near explosive materials or mines. The hydraulic oil under the cover plate is flammable.
- Do not use the car jack on a ship. The vehicle will become unstable.

NOTICE

Risk of injury!

Improper handling may damage the car jack.

- Ensure that the car jack is always securely positioned (for the correct jacking positions of your vehicle, refer to your vehicle's operating instructions). The substrate must be hard (e.g. concrete), stable and level and able to withstand a load of up to 5,000 kg.
- Never clean the car jack by immersing it in water as this may damage it. Read the instructions in the "Cleaning and Storage" section.
- Do not use the car jack if the housing has cracks, deformations or fractures (see "Maintenance, Repair and Inspection"). Take the car jack out of service immediately and contact the manufacturer through the service centre indicated on the warranty card.

INITIAL START-UP

Check the car jack and scope of delivery

NOTICE

Risk of injury!

Failure to take the necessary care when opening the packaging and using a knife or pointed object may result in damage to the car jack.

- Be careful when opening the packaging.
- 1. Make sure that all parts and accessories are complete (see **Fig. A**).
- 2. Remove the car jack from its packaging, and check whether the product or parts of the product are damaged. If this is the case, do not use the car jack and contact the manufacturer through the service centre indicated on the warranty card.



CAUTION!

Risk of personal injury!

The car jack contains small parts that can be swallowed or cause suffocation.

- Keep children and animals away from small parts.

General

- Before every use, make sure that the release valve **6** on the car jack is fully closed (turned clockwise) (see "Maintenance, Repair and Inspection").

ASSEMBLY OF THE CAR JACK

Mounting the lever bar

1. Connect the two parts of the lever bars 7 and 8 with each other, and insert them into the 4 handle holder.

OPERATION OF THE CAR JACK



Do not work on or under the vehicle without knowing the exact function and mode of operation of the device!

Before each use of the car jack, check that it is functioning properly, in particular that there is no leakage of hydraulic oil, that all screws and valves are tight and that there is sufficient oil in the oil reservoir.

Take precautions on the vehicle

1. Before attaching the car jack, make sure that the vehicle's parking brake is tightened.
2. For a vehicle with automatic transmission, set the selector lever to "Parking".
3. If you have a manual transmission, engage first gear.
4. Block the non-lifted wheels with wheel chocks (wheel chocks are not included).

Attaching the car jack


1. Lower the car jack completely. To do this, open the release valve 6 by placing the bar (at the end of the lower lever bar) on the valve and turning it counterclockwise.
2. Close the release valve 6 by turning it clockwise firmly again.

Lifting the vehicle

- Place the car jack underneath the vehicle to be lifted, under the respective car jack bracket (refer to your vehicle's owner's manual). Pump the lever bar until the saddle is just below the jacking point.

If necessary, turn the expansion screw ① out of the piston by turning it counterclockwise until it touches the vehicle. In this way, the exact jacking point can be determined.

- Pump the car jack (to lift the vehicle) to the desired height.

 You can subsequently adjust the height of the stroke piston ② with the extension screw ① if desired. The screw must be unscrewed for this purpose.

 **WARNING!**

Before starting work on the vehicle, always support the vehicle on the axles.

Lowering the vehicle

Always lower the lifted load slowly and evenly. Avoid jerky lowering. This protects the articulation points and the hydraulic unit and extends the lifespan of the car jack.

 **WARNING!**

Before lowering, check that there are no tools or persons under the suspended load. These could be damaged, crushed and seriously injured.

 **CAUTION!**

Before the vehicle is lowered again, the supports of the axles must be removed.

Lift the vehicle with the car jack far enough to enable a removal of the supports. Finally, open the release valve using the pump lever ⑥. This is done by slowly turning it counterclockwise.

The car jack will now return to the lowered position.

When the vehicle is lowered and the stroke piston is still extended, press it down by hand.

Afterwards, close the release valve again.

TROUBLESHOOTING

Problem	Possible causes	Remedy
The car jack does not lift the vehicle / cannot lift load / cannot lift load to full height / does not lower under the load.	Release valve is open.	Close the release valve by turning it clockwise. Remove any dirt that obstructs the safe closing of the valve.
	Max. load exceeded.	Reduce the load or use a different car jack.
	Low oil level.	Add/replace oil.
	Air in the system.	Remove the air from the system.
Saddle / load cannot be lowered.	IMPORTANT: In this case, ALWAYS remove the load FIRST by lifting it with a second car jack and then lowering it.	
	Check oil level – too much oil can block the hydraulic system.	Check the oil level.
	Dirt may block the release valve.	Remove, clean it and replace the oil.
	Air in the system.	Remove the air from the hydraulic system.
Weak lifting force.	Low oil level.	Top up the hydraulic oil.
	Oil is dirty.	Replace the oil.
	Release valve not firmly closed.	Tighten the release valve 6 . Remove dirt if necessary.

Problem	Possible causes	Remedy
Saddle moves slowly upwards (without load).	Air in the hydraulic system.	Remove the air from the hydraulic system.

MAINTENANCE, REPAIR AND INSPECTION



CAUTION!

Damages and risks of injury!

When the car jack is used in work areas where oil has leaked, the car jack may slip and cause material damage and/or personal injury.

- Thoroughly clean the surfaces where the work will be carried out or where the vehicle will be raised or lowered.
- Lubricate all moving parts at regular intervals.
- The oil level must always be kept at the recommended level.
- Check the car jack before every use.
- Check if there are any cracks or damaged welds, and if parts are missing and/or loosened and/or damaged. If the car jack is damaged or deformed in any way, take it out of service.
- If you suspect that the car jack has been subjected to an inadmissible load, the jack should be inspected immediately by the manufacturer. Contact the manufacturer through the service center indicated on the warranty card.
- If there are any problems with the car jack or parts are missing, there is damage, deformation or breakage, contact the manufacturer through the service center indicated on the warranty card.



Always use a good quality hydraulic oil (SAE10 or equivalent). Never mix or use different types of liquids (such as alcohol, glycerine, cleaning agents, engine oil or contaminated oil).

Adding hydraulic oil

- Position the car jack vertically.
- Check that the car jack is completely lowered. If necessary, lower it as far as it will go.
- Remove the filling plug from the housing (filling opening).
- Fill the cylinder with high-quality hydraulic oil using a suitable filling funnel up to the lower edge of the filling opening. Vent the cylinder as described in the "Venting" section.
- Replace the filling plug in the housing.
- Make sure that no oil spills or leaks.
Take it up with absorbent paper and dispose of it in an environmentally friendly manner.

Lubrication

Regularly lubricate the moving parts and the thread of the extension screw for a safe operation of the car jack.

Venting

Over time, air bubbles can penetrate the car jack's hydraulic system and interfere with its function.

If the car jack only lowers sluggishly, it must be vented. To do this, remove the filling plug, open the drain valve and then quickly move the pump lever up and down several times to vent the oil.

Reinsert the filling plug and close the venting valve.

The car jack should then work normally again.

If necessary, repeat this procedure.

CLEANING AND STORAGE

NOTICE

Danger due to improper use!

The car jack may be damaged by improper handling.

- Do not use sharp cleaning agents, brushes with metal or nylon bristles, or pointed or metallic cleaning objects such as knives, scrapers made of hard materials, etc. since they may cause external damage to the lifting device.
- Always store the car jack in a place where it is protected from falling.
- Clean the car jack with a lightly oiled cloth. Clean the car jack regularly and lubricate the moving parts.
- When the car jack is not in use, it must always be in the lowest position to prevent corrosion on the unprotected parts.
- Store the car jack in a cool, dry place where it will not be exposed to direct sunlight, extreme temperatures (hot or cold) or weather conditions (such as rain), chemicals or harmful vapors.
- Store the car jack in a safe place that is inaccessible to children and animals.

TECHNICAL DATA

Item No.	FLX-KW-02
Max. load capacity	5,000 kg
Min. height	195 mm
Max. height	385 mm
Lifting height	130 mm
Height adjustable	0–67 mm
Oil volume	117 ml
Weight	3.3 kg
Service life	5 years

DISPOSAL

Disposal of packaging



Dispose of the packaging sorted by type. Dispose of cardboard and other related substances in the waste paper collection, and foils in the recyclable waste collection.

Disposal of the car jack

- If the car jack is no longer suitable for use, dispose of it in an environmentally sound and appropriate manner in accordance with the relevant local regulations

DECLARATION OF CONFORMITY**Original EG-Konformitätserklärung**

Original EC-Declaration of Conformity

Hiermit erklären wir unter alleiniger Verantwortung, dass die Bauart des nachfolgend bezeichneten Gerätes den unten genannten einschlägigen EU-Richtlinien entspricht und die Serie entsprechend gefertigt wird.

We hereby confirm under own responsibility that the appliance described below is in compliance with the governing EC-regulations as mentioned in this form and mass production will be effected accordingly.

Artikelbezeichnung: Article Description:	Kompakt-Rangierwagenheber Compact Trolley Jack
Typ / Model:	FLX-KW-02
Technische Angaben: Technical data:	maximale Tragkraft 5 Tonnen max. load 5 t
Jahr der Anbringung der CE-Kennzeichnung / year of affixing the CE Marking: 2020	

Einschlägige EU-Richtlinien / Governing EU-regulations

EG Richtlinie 2006/42/EG


Harmonisierte EN-Fach- und Grundnormen / Harmonized EN-standards and general standards

Der Artikel entspricht folgenden, zur Erlangung des CE-Zeichens erforderlichen Normen:

The article is in compliance with the standards mentioned below, which are basic conditions to obtain the CE-mark

EN 1494:2000+A1:2008 EN ISO 12100:2010

Person, die bevollmächtigt ist, die technischen Unterlagen zu erstellen:
Person, responsible for creating of the technical documents:




Hr. Holger Lemme
i.V. Leitung Qualitätswesen / Head of QA Dep.

Ausstellungsort / Datum
Place and date of issue

Hilden, den

25.05.2020

FLEXXTRADE GmbH & CO KG
Hofstrasse 64
40723 Hilden
Germany



Hr. Udo Schmitz
Geschäftsführer / Managing Director



Great care has gone into the manufacture of this product and it should therefore provide you with years of good service when used properly. In the event of product failure within its intended use over the course of the first 3 years after date of purchase, we will remedy the problem as quickly as possible once it has been brought to our attention. In the unlikely event of such an occurrence, or if you require any information about the product, please contact us via our helpline support services, details of which are to be found both in this manual and on the product itself.



PRODUCED IN CHINA FOR:

ALDI STORES LTD. PO BOX 26, ATHERSTONE
WARWICKSHIRE, CV9 2SH.

ALDI STORES (IRELAND) LTD.
PO BOX 726, NAAS, CO. KILDARE.
Visit us at www.aldi.com

AFTER SALES SUPPORT

802619



00800/78747874

00800/78747874



flexxtrade-gb@teknihall.com

flexxtrade-ie@teknihall.com

MODEL:
FLX-KW-02

10/2020

3
YEAR
WARRANTY