



Original
instructions


ADVENTURIDGE.

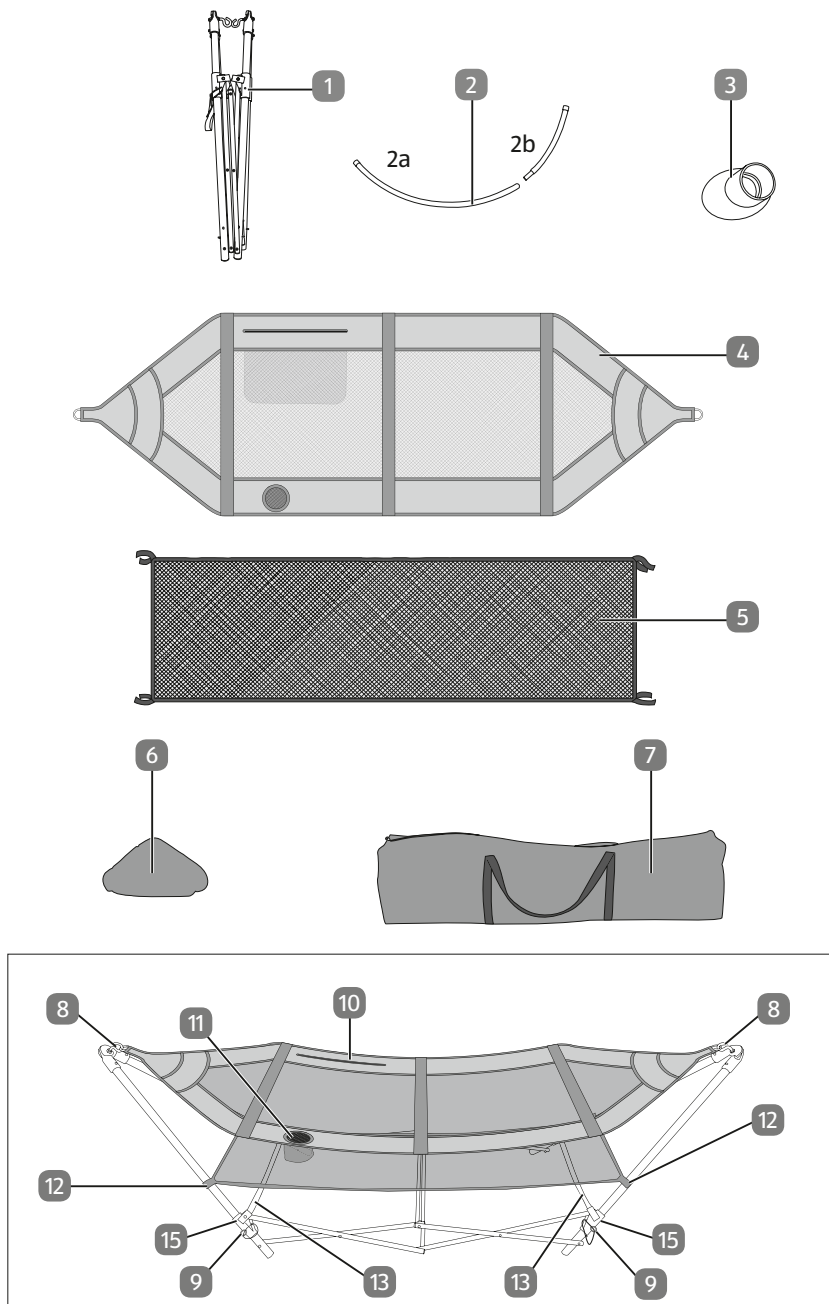
HAMMOCK WITH FOLDABLE FRAME

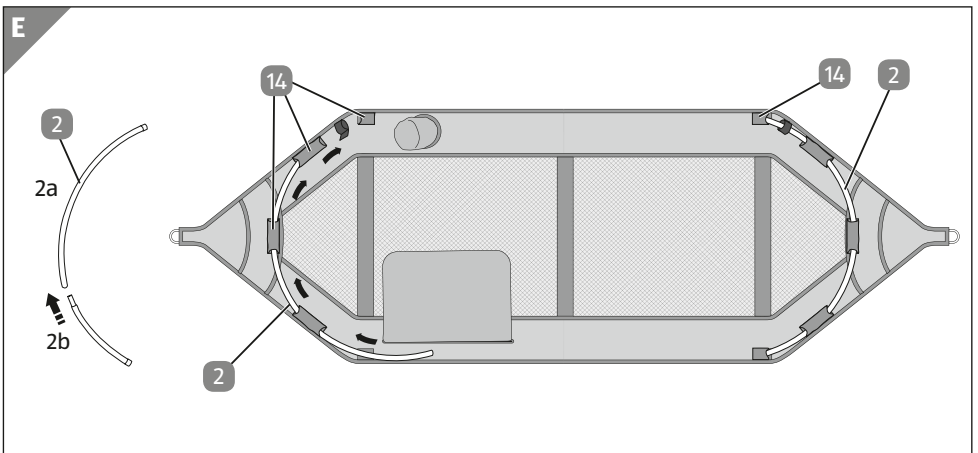
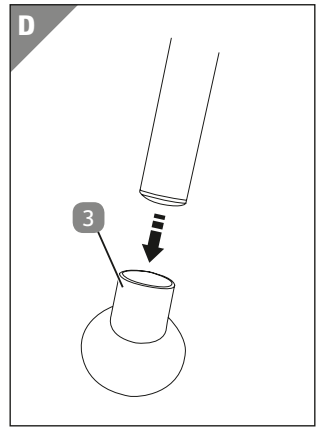
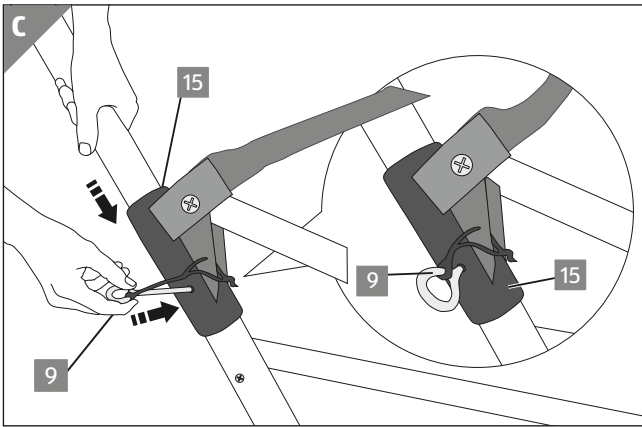
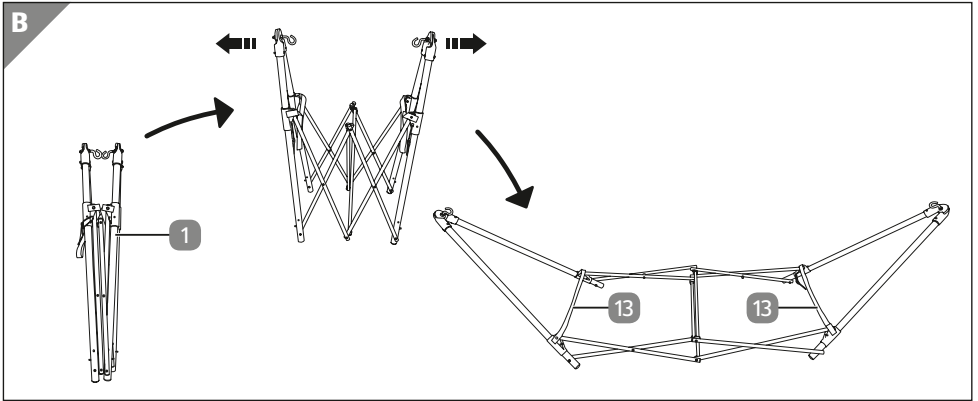


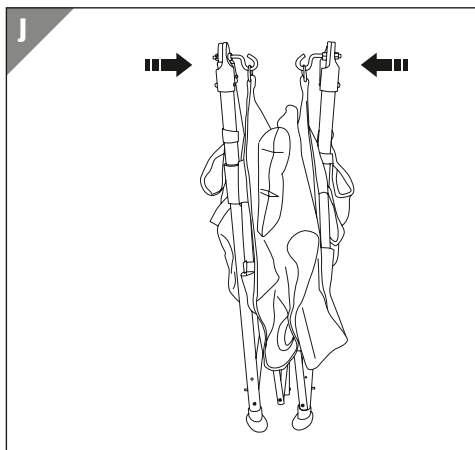
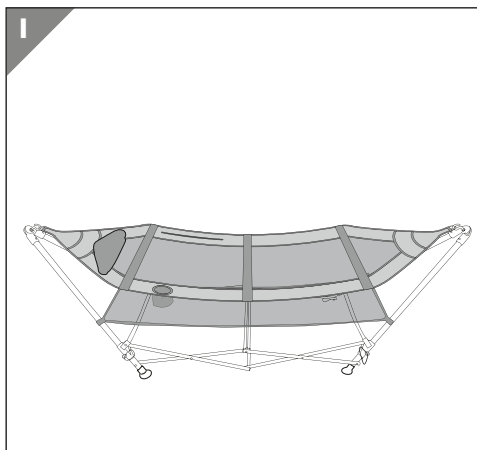
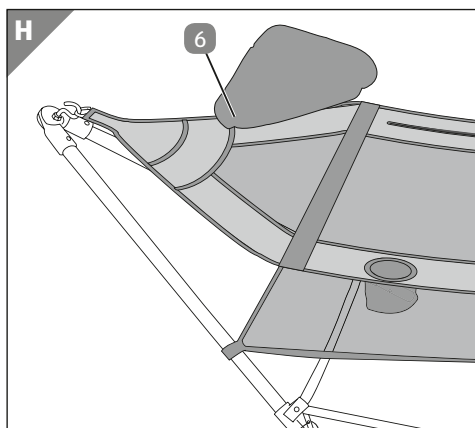
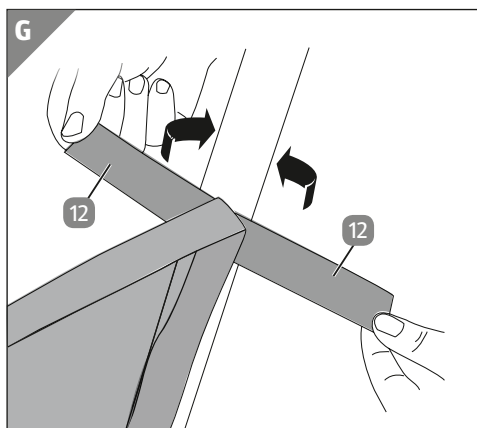
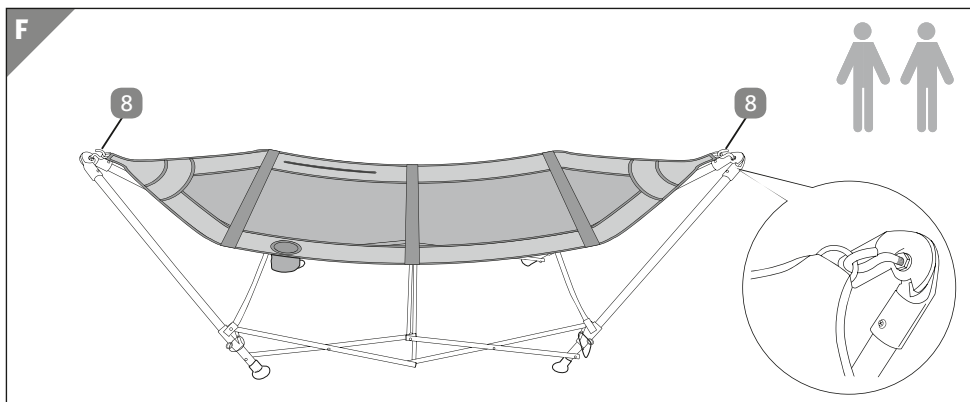
Table of contents

- Overview** 3
- Use** 4
- Scope of delivery/parts** 6
- General** 7
 - Read and store the operating instructions..... 7
 - Explanation of symbols..... 7
- Safety** 8
 - Intended use 8
 - Safety information 8
- First use** 11
 - Check hammock and scope of delivery 11
- Assembly** 12
- Use** 13
 - Getting into the hammock..... 13
 - Getting out of the hammock 13
 - Folding up the hammock..... 13
- Disassembly** 14
- Cleaning and storage** 14
- Technical data** 15
- Disposal** 15
 - Disposal of packaging 15
 - Disposal of the hammock..... 15

A







Scope of delivery/parts

- 1 Frame
- 2 Mat support (consisting of 2a and 2b), 2 ×
- 3 End caps, 4 ×
- 4 Hammock
- 5 Storage net
- 6 Cushion
- 7 Carrying bag
- 8 Hook, 2×
- 9 Locking pins, 4 ×
- 10 Magazine bag
- 11 Drink holder
- 12 Hook and loop fastener
- 13 Straps
- 14 Storage pocket
- 15 Folding joints

General

Read the operating instructions and store them



These instructions for use belong to this hammock with foldable frame (hereinafter referred to as “hammock”). They contain important information on its use.

Carefully read the operating instructions, especially the safety instructions, before using the hammock. Failure to follow these instructions for use may result in serious injury and damage to the hammock.

The operating instructions are based on the standards and regulations which are valid within the European Union. Observe country-specific guidelines and laws which are applicable abroad.

Store the operating instructions to enable further use. If you pass the item on to a third party, be sure to include these operating instructions.

Explanation of symbols

The following symbols and signal words are used in these operating instructions, on the hammock or on the packaging.



This signal symbol/word designates a hazard with moderate risk, which may result in death or severe injury if not avoided.



This signal symbol/word designates a hazard with low risk, which may result in minor or moderate injury if not avoided.



This signal symbol/word warns of possible damage to property.



This symbol provides you with useful additional information on handling and use



The GS mark (Tested Safety) certifies that the product is safe if it is used correctly. The GS mark means that the safety of the product has been tested. Products that are marked with this symbol meet the requirements of the Product Safety Act (ProdSG).

www.tuv.com
ID 1111249285



This symbol indicates the obligation to supervise children.

Safety

Intended use

The hammock is intended exclusively for private use and is not suitable for commercial use. The hammock is only suitable for outdoor use. The hammock is not a toy for children.

Only use the hammock as described in these operating instructions. Any other use is considered improper and can lead to material damage.

The manufacturer or dealer accepts no liability for damage caused by improper or incorrect use.

Safety information

WARNING!

Risk of strangulation and suffocation!

When children play with the packaging film, small parts or the hammock, they can get caught inside of it, pull it over their head or swallow it, and suffocate or strangle themselves.

- Do not let children play with the packaging film. Children can get caught up in it and suffocate while playing.
- Keep children away from the small parts.

WARNING!

CAUTION! Dangers for children!

Do not let children play with the packaging film and storage bag. You can get caught in it and suffocate while playing.

- Do not leave the storage bag unattended.
- The hammock is not a child's toy or sports equipment. The user may fall out of the hammock or the hammock may tip over if the user bounces, seesaws, or rocks too much.
- Children must be supervised.
- The hammock is not a rocking device.
- **DANGER!** Due to openings that could pose a potential strangulation hazard, this product is not suitable for unsupervised use by children!

 **WARNING!****Risk of injury!**

Improper handling of the hammock as well as incorrect assembly can lead to injuries.

- The hammock may only be assembled by adults.
- The hammock may only be used outdoors. The hammock is not suitable for indoor use.
- The max. user weight of 135 kg must not be exceeded.
- Don't stand in the hammock.
- Make sure that only one person lies in the hammock at a time
- Do not jump or drop into the hammock.
- Do not use the hammock as a shelf or as storage for boxes or other products.
- Do not use the hammock as a swing or climbing aid.
- The hammock is not a toy. Supervise your children when they play near the hammock.
- Check the hammock for damage before each use. Do not use the hammock if the hammock or individual parts are damaged.
- Do not lie down in the hammock unless it has been properly set up and secured.
- Before each use, check the hammock for defects, such as damage to the fabric or misalignment in the frame. If you notice any damage, have the hammock repaired before use.
- Assemble the hammock carefully and follow these assembly instructions. Make sure it is fully unfolded and the locking pins are properly installed before sitting or lying on it.
- Place the hammock on a level and non-slip surface. Make sure there are no sharp objects or sharp edges nearby in case you fall out of the hammock.
- Do not use the hammock during storms or thunderstorms.

- Do not modify the hammock in any way. Any modification not expressly authorized by Customer Service will void the warranty and exclude all liability in case of damage or injury.
- Keep a safety distance of 0.3 m around the hammock.

 **WARNING!**

Hazards for children and persons with reduced physical, sensory or mental capabilities (for example, partially disabled persons, elderly persons with reduced physical and mental capabilities) or lack of experience and knowledge (for example, older children).

- This hammock can be used by children aged fourteen and over and persons with reduced physical, sensory or mental capabilities or lack of experience and knowledge if they have been given supervision or instruction concerning use of the hammock in a safe way and understand the hazards involved.
- Children are not allowed to play with the hammock.
- Do not allow children to play with the packaging material. Children can get caught up in it and become strangled or swallow small parts and suffocate while playing.

 **CAUTION!**

Risk of crushing!

If handled carelessly, you can crush your fingers on the hammock.

- Make sure that children do not play with the hammock. Children can crush or injure their hands.
- Take care of your hands and fingers during assembly and daily use.
- To avoid crushing, ensure careful assembly and transportation.

NOTICE

Risk of damage!

Improper handling of the hammock can result in damage.

- Place the hammock on an easily accessible, level, dry and sufficiently stable surface.
- Keep the hammock away from heat sources (e.g. fireplace) and open fires (e.g. campfires etc.)
- Protect the hammock from the elements such as rain, direct sunlight, moisture or cold.
- Do not use the hammock if it is cracked or if any parts are damaged. Replace damaged parts only with suitable original spare parts.
- Do not use a steam cleaner for cleaning. The product may otherwise be damaged.

First use

Check hammock and scope of delivery

NOTICE

Risk of damage!

If you open the packaging carelessly with a sharp knife or other sharp object, the hammock can be damaged very quickly.

- Be very careful when opening.
 1. Remove the hammock from its packaging.
 2. Check whether the delivery is complete (see **Fig. A**).
 3. Check whether the hammock or the individual parts show any damage. If this is the case, do not use the hammock. Contact the manufacturer at the service address indicated on the warranty card.

Assembly

NOTICE

Risk of damage!

If you set up the hammock on uneven ground, you may damage the hammock.

- Before assembling the hammock, make sure the work area is as level and flat as possible. Remove stones, branches or other objects that can endanger the stability of the hammock stand.
1. Loosen the hooks **8** of the frame **1** from each other and make sure that both hooks are pointing upwards (see **Fig. B**).
 2. Pull the frame **1** completely apart (see **Fig. B**), making sure that the straps are inside the frame **13** are inside the frame.
 3. Secure the folding joints **15** at the four corners of the frame with the locking pins **9** (see **Fig. C**).
 4. Put the end caps **3** onto the tube ends at the base of the hammock frame (see **Fig. D**).
 5. Insert the mat supports **2** into the pockets on the underside of the hammock at both ends **13** at both ends of the hammock **4** (see **Fig. E**).
 6. Hang the hammock **4** on the hooks **8** of the frame **1**. The drink holder **11** and the magazine bag **10** must point downwards (see **Fig. F**).
The first time you hang up the hammock, it will take some force. Be careful and get a second person to help you.



When the hammock is clamped into the frame for the first time, it can happen that the mat hangs very high and tightly in the frame. After the first use, the fabric gives way and the mat hangs lower in the frame. This also makes it easier to get started.

7. Unfold the storage net **5** and fasten it with the hook and loop fasteners **12** and fasten it tightly around the four legs of the frame (see **Fig. G**).
8. Place the cushion **6** on the hammock (see **Fig. H**).
9. Your hammock is now ready for use (see **Fig. I**).

Use

WARNING!

Risk of injury!

Improper handling of the hammock can result in injuries.

- Do not jump or fall onto the hammock.



The maximum user weight of the hammock is 135 kg.

Getting into the hammock

1. Slowly sit down in the middle of the hammock.
2. Swing your legs up and onto the hammock so that your feet are resting on the foot end of the hammock.
3. Lie down carefully.

Getting out of the hammock

1. Carefully sit down in the middle of the hammock.
2. Place your feet on the floor and then stand up carefully.

Folding up the hammock

WARNING!

Risk of injury!

If you are not careful when folding up the hammock with frame and mat supports, fingers or hands can be crushed.

- Be careful not to trap your fingers or hands in the folding parts.



If possible, have two people fold up the hammock, to push the two ends of the hammock toward the middle while pulling up the straps on both sides.

You can fold the hammock for storage or transport without disassembling it.

1. Remove the locking pins **9** from the folding joints **15** of the frame.
2. Push the two ends of the hammock towards each other and at the same time pull up the straps **13** upwards on both sides until the hammock is completely folded up (see **Fig. J**).

Disassembly

WARNING!

Risk of injury!

If you are not careful with the frame and mat holders when disassembling the hammock, fingers or hands can be crushed.

- Be careful not to trap your fingers or hands in the folding parts.



If possible, have two people fold up the hammock, to push the two ends of the hammock toward the middle while pulling up the straps on both sides.



Disassemble the hammock in a clean and dry place to avoid the formation of mould or mildew. Dry the hammock immediately after disassembling it in the rain. Clean all parts thoroughly before packing the hammock into the carrying bag.

1. Loosen the hook and loop fasteners **15** of the storage net **5** and fold it up.
2. Take the pillow **6** from the hammock.
3. Remove the mat supports **2** from the hammock.
4. Remove the hammock **4** from the frame **1** and fold it up.
5. Remove the locking pins **9** from the hinged joints **15**.
6. Push the two ends of the frame **1** to the middle and at the same time fold the straps **13** on both sides upwards until the frame is completely folded up.
7. Connect the hooks **7** with each other.
8. Stow the frame **1**, the hammock **4**, the cushion **5**, the storage net **5** and the mat supports **2** in the carrying bag **7**.

Cleaning and storage

NOTICE

Risk of damage!

Improper handling of the hammock can result in damage.

- Do not use aggressive cleaning agents, brushes with metal or nylon bristles, sharp or metallic cleaning utensils such as knives, hard scrapers, etc. They can damage the surfaces.

- Never use aggressive or abrasive cleaners or chemical detergents as this can damage the fabric of the hammock and make it brittle.
- Brush dirt off the dry hammock or rinse it off with clean water.
- Clean the steel poles of the hammock frame with a dry cloth after each use.



Protect the hammock in case of rain or wetness and do not leave it outside for a longer period of time. The storage should be carried out as described in the chapter Disassembly

1. Allow the hammock to dry completely before storing it and if you do not plan to use it for a long time.
2. Store the hammock in a dry and dust-free place protected from the weather and inaccessible to children.

Technical data

Model:	FLX-FHM-S01 / FLX-FHM-S02
Item number:	816216
Size unfolded (L × W × H):	264 x 83 x 82 cm
Weight:	9.6 kg
Maximum user weight:	135 kg
Hammock frame and mat retainer material:	Powder coated steel tubes, plastic parts made of PP
Hammock mat material:	100 % polyester
Carry bag material:	100 % polyester
Storage net material:	100 % polyester
Date of manufacture:	01/2022

Disposal

Disposal of packaging



Recycle

Dispose of the packaging sorted by type. Add cardboard to the waste paper, and foils to the recyclables collection.

Disposal of the hammock



Dispose of the item in accordance with the laws and regulations in force in your country.



Great care has gone into the manufacture of this product and it should therefore provide you with years of good service when used properly. In the event of product failure within its intended use over the course of the first 3 years after date of purchase, we will remedy the problem as quickly as possible once it has been brought to our attention. In the unlikely event of such an occurrence, or if you require any information about the product, please contact us via our helpline support services, details of which are to be found both in this manual and on the product itself.



PRODUCED IN CHINA FOR:

Aldi Stores Ltd. PO Box 26,
Atherstone, Warwickshire, CV92SH.

Aldi Stores (Ireland) Ltd.
PO Box 726, Naas, Co. Kildare.

www.aldi.com

AFTER SALES SUPPORT

816216



00800 7874 7874 (free / cell phone different)



flextrade-gb@teknihall.com
flextrade-ie@teknihall.com

MODEL:

FLX-FHM-S01 / FLX-FHM-S02

06/2022

3

**YEAR
WARRANTY**